

TD6020

General specifications



- Motor: Brushless DC, impedance protected, auto cutoff auto restart optional only
- Motor Protection:
- Frame: Glass fiber reinforced PBT thermoplastic, UL94V-0
- Impeller: Glass fiber reinforced PBT thermoplastic, UL94V-0 impeller
- Bearing: Double sealed high precision ball bearing
- Rotation: CCW looking at rotor, air inlet side of housing
- Operating Temp: Ball bearings -20C~+65C
- Storage Temp:
- Life Expectancy: Ball bearings 60,000 hours at 45C, 50,000 hours at 60C
- Dielectric Strength: 500 VAC/sec. Max leakage 500 micro amp
- Connection: Wire or Terminal
- Weight: 60 g (0.13 Lbs)

Model	Rated Voltage	Voltage Range	Input Power	Rated Current	Ref. Speed	Max Airflow		Max Pressure		Noise
	VDC	VDC	W	A	RPM	CFM	M3/Min	Inch/H2O	mm	
TD6020-H-5	5	4~6	1.3	0.25	4500	17	0.48	0.16	4.06	27
TD6020-M-5	5	4~6	1	0.19	3800	15	0.42	0.11	2.79	26
TD6020-L-5	5	4~7	0.8	0.15	2500	10	0.28	0.07	1.78	22
TD6020-HH-12	12	8~13.8	2.2	0.18	5600	23	0.65	0.21	5.33	33
TD6020-H-12	12	8~13.8	2.2	0.18	4700	18	0.51	0.16	4.06	28
TD6020-M-12	12	8~13.8	1.8	0.15	3800	15	0.42	0.11	2.79	26
TD6020-L-12	12	8~14	1.2	0.10	2500	10	0.28	0.07	1.78	22
TD6020-HH-24	24	12~27.6	3.6	0.15	5600	23	0.65	0.21	5.33	33
TD6020-H-24	24	12~27.6	3.6	0.15	4700	18	0.51	0.16	4.06	28
TD6020-M-24	24	12~27.6	3.1	0.13	3800	15	0.42	0.11	2.79	26
TD6020-L-24	24	12~28	1.7	0.07	2500	10	0.28	0.07	1.78	22
TD6020-H-48	48	24~55	3.4	0.07	5600	23	0.65	0.21	5.33	33

Related Product Information

Please see our related items below for suggested products to use with this item:

- Metal Fan Guard: TWG-60
- Plastic Fan Guard: TPG-60
- Plastic Fan Filter: TFK-60-30, TFK-60-45
- Metal Fan Screen: TMS-60

Related Technical Information

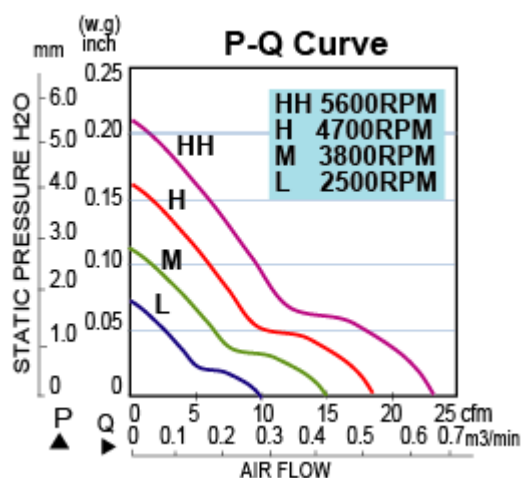
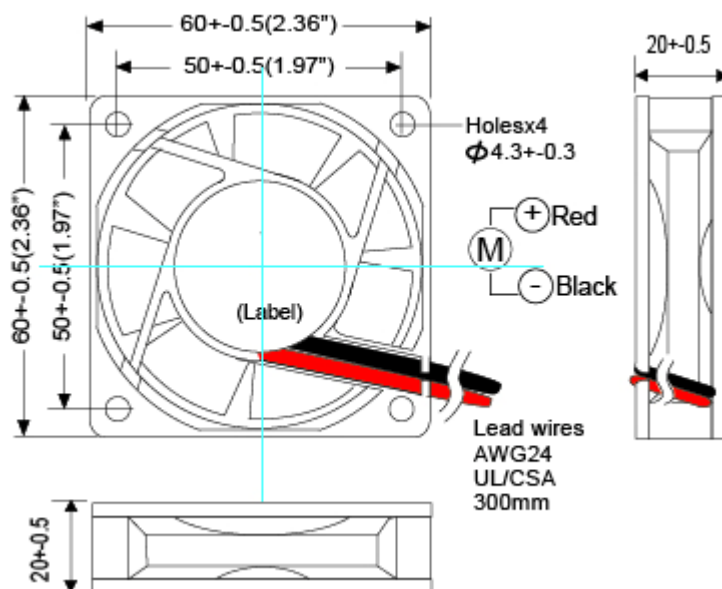
-Optional Function Leads:

- *Alarm, motor stop, cutoff sensor signals (L, run-Low, stop-High for alarm function, color yellow lead)
- *Tach speed sensor output, open collector, 2 square waves per revolution, or TTL 4.4~5 VDC optional (T, white lead)

*Speed control:

- H, NTC thermistor thermal control 1800~3400RPM/4.7~10K ohm vs 45~20C(H, orange lead)
 - P, Pulse Width Modulation, microprocessor programmable CPU speed control, 10~100%, full stop & 10 speed stages; 800~3800RPM (P, purple lead)
 - V, Control voltage speed setting, Analog 0~10V vs speed RPM
- speed control via separate DC low voltage interface (V, gray lead)

Fan Performance Curves and Dimension



* TEI reserves the right to change data and specs without notice* Tests are at nominal rated voltage against zero static pressure*Specifications subject to change without notice, data tolerance +-10%